

EB 80 BOXI - 4-POSITION VALVE ISLAND

The EB 80 electro-pneumatic system features the utmost modularity and allows the construction of all types of valve island and size. This enormous potential is not exploited to the full, however, when only a few valves are needed and there is no need to manage input or output signals. BOXI was designed to best meet this requirement for simplicity.

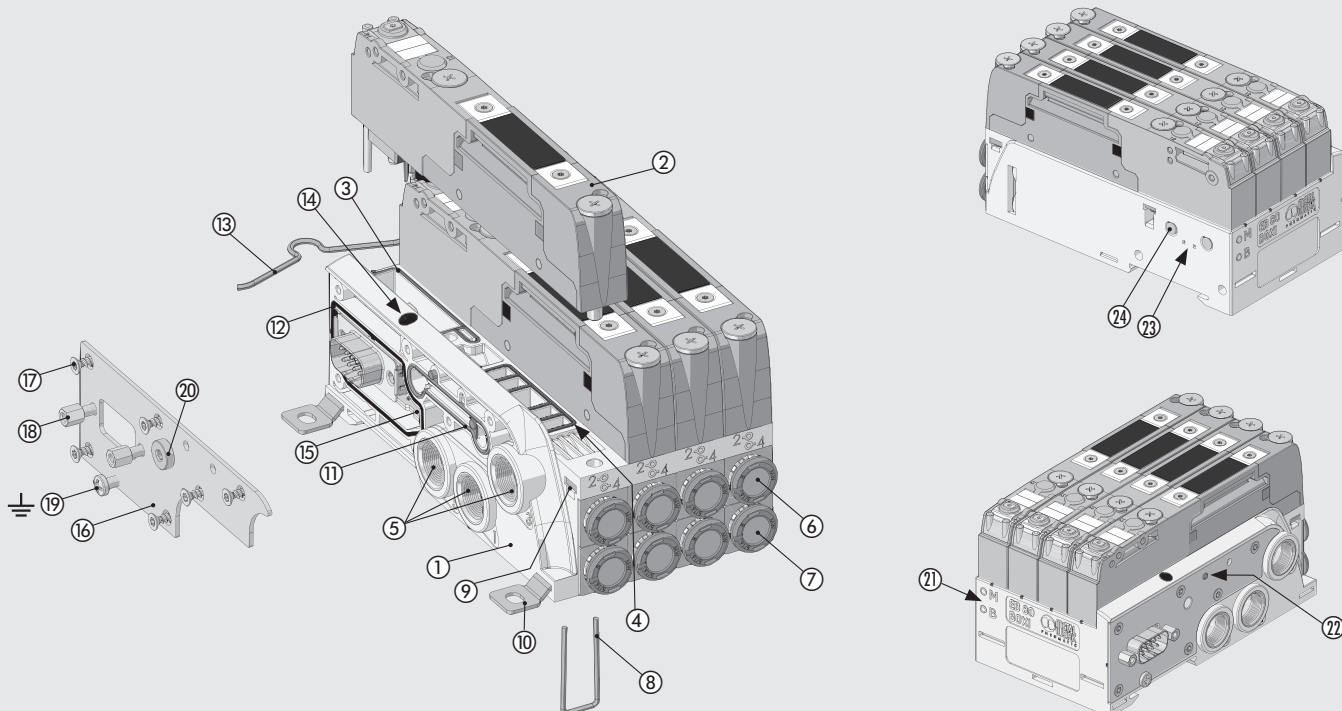
It consists of a solid base that accommodates pneumatic and electrical connections, the electronics and up to 4 valves.

A comparison with a modular EB 80 for 4 valve shows that BOXI weighs 35% less and saves 30% space, in addition of its competitive price, while maintaining many of the advantages that have made the EB 80 so popular, namely:

- All the EB 80 valves, from the twin 2/2 to the high-flow models, can be installed.
- Can be powered at 12VDC or 24VDC.
- Interchangeable cartridge fittings.
- Only 0.3W to control each valve.
- Diagnostics (open circuit, over-under, voltage short-circuit) with LED signal lights.
- Possibility of connecting multifunction modules to the outputs.



COMPONENTS



- | | |
|--|--|
| ① BASE: technopolymer | ⑮ ELECTRONIC BOARD |
| ② EB 80 VALVE (see page B2.5 and page B2.50) | ⑯ END PLATE: stainless steel |
| ③ GASKET: NBR | ⑰ SCREW FOR FIXING THE CLOSING PLATE TO THE BASE: galvanised steel |
| ④ VALVE GASKET: NBR | ⑱ ELECTRIC CONNECTOR FIXING COLUMNS: nickel-plated brass |
| ⑤ PORTS 1-3-5: brass threaded element | ⑲ GROUNDING SCREW: galvanized steel |
| ⑥ PORT 2 CARTRIDGE: push-in fitting | ⑳ A7/M5 PLUG (in the non-servo-assisted version only): nickel-plated brass |
| ⑦ PORT 4 CARTRIDGE: push-in fitting | ㉑ PICTOGRAM indication of the type of electronic board: M = to 4 controls - B = to 8 controls |
| ⑧ CLIP for securing the cartridge: stainless steel | ㉒ INDICATOR: indicates whether pilot power supply is separate or not |
| ⑨ THREADED PLATE for securing the valves: galvanised steel | ㉓ RELIEF VALVE: safety in case of internal pressure increase due to temperature or losses |
| ⑩ FIXING PIN: galvanised steel | ㉔ PILOT RELIEF: HDPE silencer |
| ⑪ GASKET FOR SERVO-ASSISTING: NBR | |
| ⑫ GASKET FOR IP65: NBR | |
| ⑬ SPRING CLIP for omega bar: stainless steel | |
| ⑭ Alarm LED light display: technopolymer | |

TECHNICAL DATA

| | | | | | | | |
|--|--------|--|--|--------------------|---------------|----------------|------------------|
| Supply voltage range | V | 12 -10% 24 +30% | | | | | |
| Minimum operating voltage | V | 10.8 * | | | | | |
| Maximum operating voltage | V | 31.2 | | | | | |
| Maximum admissible voltage | V | 32 *** | | | | | |
| Power for each controlled pilot | W | 3 for 15 ms, then holding 0.3 | | | | | |
| Drive | | PNP | | | | | |
| Solenoid rating | | 100% ED | | | | | |
| Protection | | Overload and short-circuit protected solenoid pilot Output | | | | | |
| Grounding | | With a Ø3 mm screw on a metal closing plate | | | | | |
| Diagnostics | | LED light signal on the base | | | | | |
| Faults signalled | | Solenoid pilot broken or missing; short-circuited solenoid pilot; power supply out of range | | | | | |
| Maximum number of controls (solenoid pilots) | | 4-control version, 5/2 monostable valves; 8-control version, for each type of valve. | | | | | |
| Electrical connection | | Multipole with D-Sub 9-pin connector; I/O Link with M12x1 connector. | | | | | |
| Ambient temperature | °C | -10 to + 50 (at 8 bar) | | | | | |
| | °F | 14 to 122 (at 8 bar) | | | | | |
| Operating pressure | | 5/2 and 5/3 | 2/2 and 3/2 | | | | |
| Non-assisted valves | bar | 3 to 8 | 3.5 to 8 | | | | |
| | MPa | 0.3 to 0.8 | 0.35 to 0.8 | | | | |
| | psi | 43 to 116 | 51 to 116 | | | | |
| Assisted valves | bar | Vacuum to 10 | | | | | |
| | MPa | Vacuum to 1 | | | | | |
| | psi | Vacuum to 145 | | | | | |
| Servo pressure | bar | 3 to 8 | min (see graph on page B2.51) / max. 8 | | | | |
| | MPa | 0.3 to 0.8 | min (see graph on page B2.51) / max. 0.8 | | | | |
| | psi | 43 to 116 | min (see graph on page B2.51) / max. 116 | | | | |
| Pneumatic fittings | | Supply (port 1) and exhaust (ports 3 and 5): 1/4" BSP or 1/4" NPT. | | | | | |
| Pneumatic outputs | | Piloting (X): M5 | | | | | |
| Flow rate at 6.3 bar ΔP 1 bar Feeding (port 1) | Nl/min | Pipe fittings Ø 4 (5/32"), 6, 8 (5/16"), 1/4" | | | | | |
| 6.3 bar flow rate with free exhaust from ports 3 and 5 | Nl/min | 4500 | | | | | |
| | | 5500 + 5500 | | | | | |
| Valve flow rate, at 6.3 bar ΔP 1 bar | | Ø 4 (5/32") | Ø 6 | Ø 8 (5/16") | Ø 1/4" | Ø 10 ** | Ø 3/8" ** |
| valve 2/2 | Nl/min | 350 | 430 | 500 | 430 | - | - |
| valve 3/2 | Nl/min | 350 | 600 | 700 | 600 | 1250 | 1250 |
| valve 5/2 | Nl/min | 350 | 650 | 800 | 650 | 1250 - 1400 | 1250 - 1400 |
| valve 5/3 | Nl/min | 350 | 460 | 500 | 460 | 1000 - 1250 | 1000 - 1250 |
| valve V3V (R) | Nl/min | - | - | - | - | 1000 | 1000 |
| Actuation response time (TRA) / reset response time (TRR) at 6 bar | | | | | | | |
| TRA/TRR valve 2/2 and 3/2 | ms | 14 / 28 | | | | | |
| TRA/TRR valves 5/2 monostable and shut-off valve | ms | 12 / 45 | | | | | |
| TRA/TRR valve 5/2 bistable | ms | 9 / 11 | | | | | |
| TRA/TRR valve 5/3 | ms | 15 / 45 | | | | | |
| TRA/TRR valve 3/2 high flow | ms | 13 / 36 | | | | | |
| Fluid | | Unlubricated air | | | | | |
| Air quality required | | ISO 8573-1 class 4-7-3 | | | | | |
| Degree of protection | | IP65 | | | | | |
| Weight (without valves) | g | 330 | | | | | |

* Minimum voltage 10.8V required at solenoid pilots. Check the minimum voltage at the power supply output using the calculations shown on page B2.24

** Using high-flow valves or connected valves - see pages B2.52

*** IMPORTANT! Voltage greater than 32VDC will damage the system irreparably.

VIDEO

This video shows the advantages of the EB 80 BOXI.

English



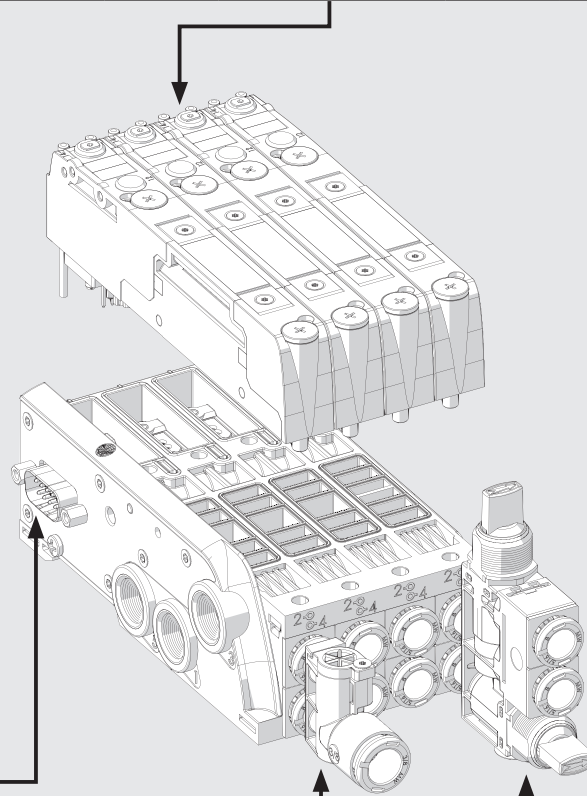
Italian



THE EB 80 BOXI WORLD

VALVES

| Z_ | I_ | W_ | L_ | V_ | K_ | O_ | G_ | J_ | R_ | NO | Y8 |
|-----------------|-----------------------------------|-----------------------------------|-----------------|----------------|----------------|----------------|------------------|------------------|----------------|----------------|----------------|
| | | | | | | | | | | | |
| 2 valves 2/2 NC | 2 valves 3/2 NC (valid as 5/3 OC) | 2 valves 3/2 NO (valid as 5/3 PC) | 3/2 NC + 3/2 NO | Monostable 5/2 | Bistable 5/2 | 5/3 CC | 3/2 NC high flow | 3/2 NO high flow | Shut-off valve | Dummy valve | Bypass |
| See page B2.51 | See page B2.51 | See page B2.51 | See page B2.51 | See page B2.51 | See page B2.51 | See page B2.51 | See page B2.52 | See page B2.52 | See page B2.53 | See page B2.54 | See page B2.54 |



ELECTRICAL CONNECTION

| | |
|-----------------------|------------------------------|
| | |
| D-Sub 9-pin multipole | I/O link M12x15 pin coding A |
| See page B2.70 | See page B2.70 |

Y-FITTING

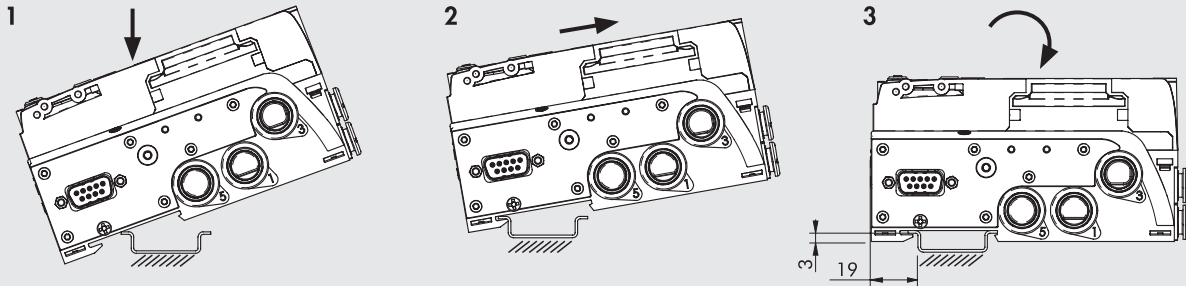
| |
|----------------|
| R2 |
| |
| Y-fitting |
| See page B2.55 |

MULTI-FUNCTION MODULE

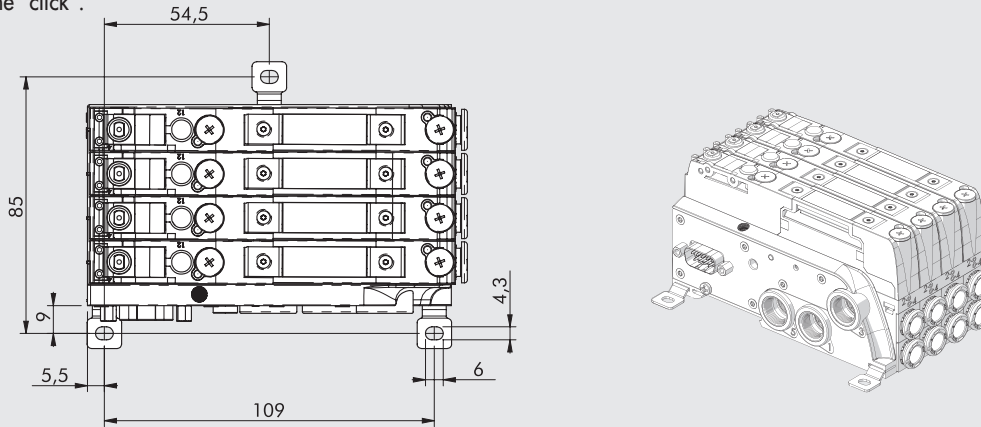
| |
|-----------------------------------|
| |
| Fittings with pneumatic functions |
| See page B2.76 |

FIXING OPTIONS

Fixing on a DIN bar: fixing on a DIN bar in the sequence indicated.



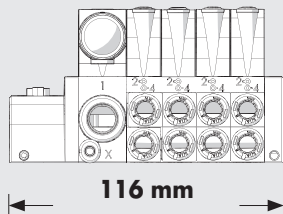
Fixing by means of brackets: the 3 brackets are already included in each EB 80 BOXI pack. Push them firmly into the appropriate seats on the base up to the "click".



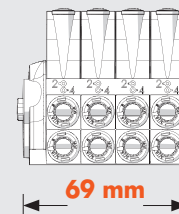
SOME CHARACTERISTICS OF EB 80 BOXI SYSTEMS

SMALLER IN SIZE THAN THE EB 80 MODULAR

EB 80 STANDARD

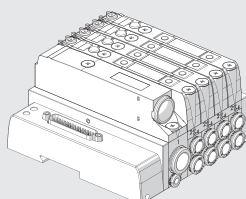


EB 80 BOXI



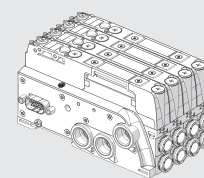
LIGHTER THAN THE EB 80 MODULAR

EB 80 STANDARD



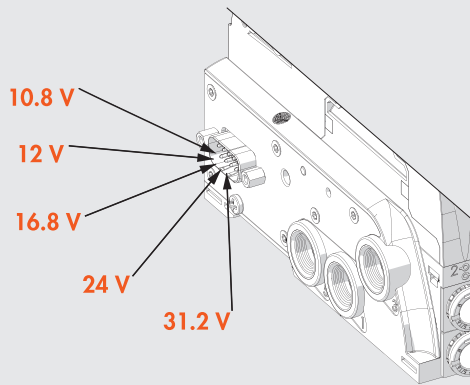
1 kg

EB 80 BOXI



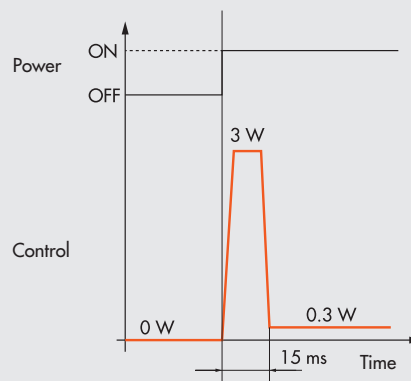
0.6 kg

THE SAME ISLAND CAN BE SUPPLIED 10.8 - 31.2 VDC



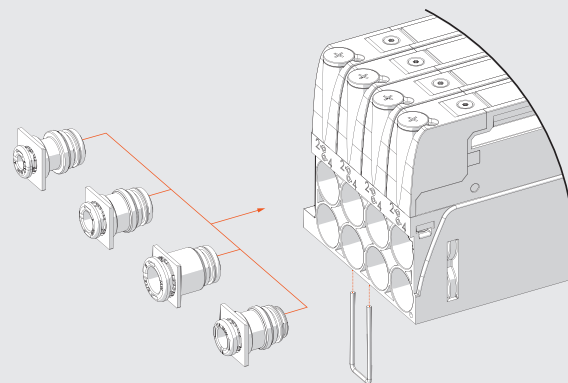
ONLY 0.3 W FOR EACH SOLENOID VALVE

- Speed-up solenoid valve control:
 - high power for a few milliseconds ensures high performance and rapid and safe switching;
 - reduced holding power resulting in reduced temperatures and energy saving.



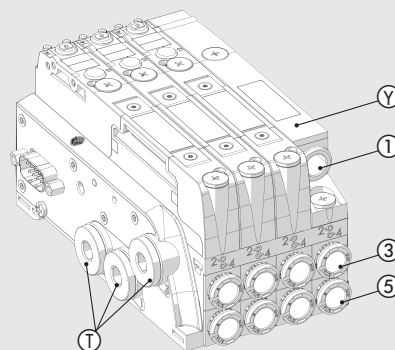
INTERCHANGEABLE CARTRIDGE FITTINGS

- For pipes \varnothing 4 (5/32"), 6, 8 (5/16"), 1/4"



FRONT SUPPLY AND EXHAUSTS

This solution can only be applied when using 3 valves, which means that one of the four positions at the base is not used. Install a bypass (Y) in a position, we recommend the fourth position so as to maintain the matching of the numbering of the electrical connector with that of the valves. Plug the side inputs with A7 1/4 (T) stoppers. The pneumatic supply (1) is in the bypass fitting, while exhausts (3) and (5) are on the base.



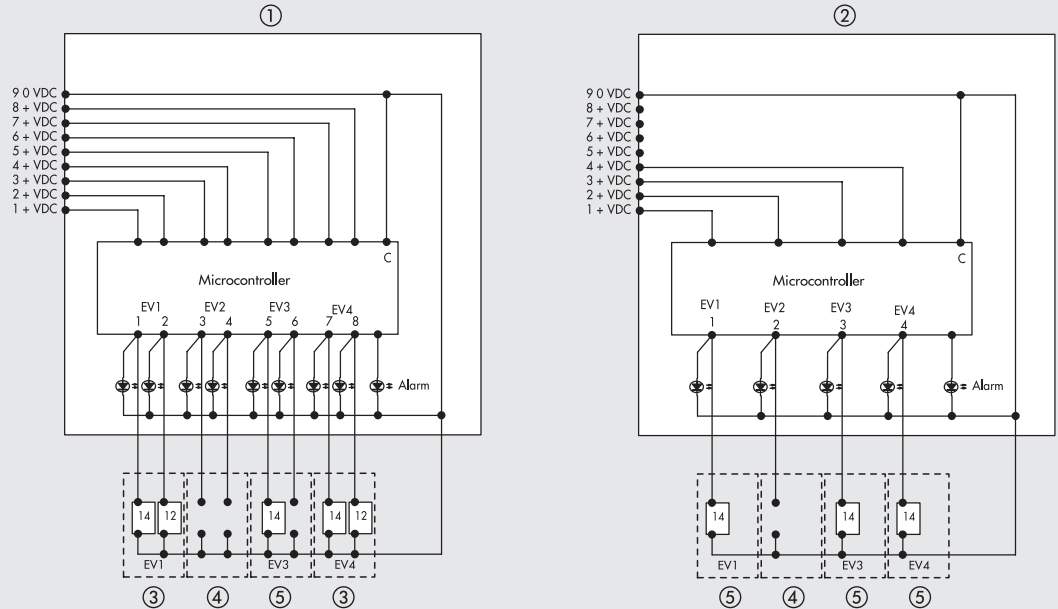
EB 80 BOXI WIRING DIAGRAM

D-Sub 9-PIN CONNECTOR



- ① 4-position base for 8 pilots
- ② 4-position base for 4 pilots

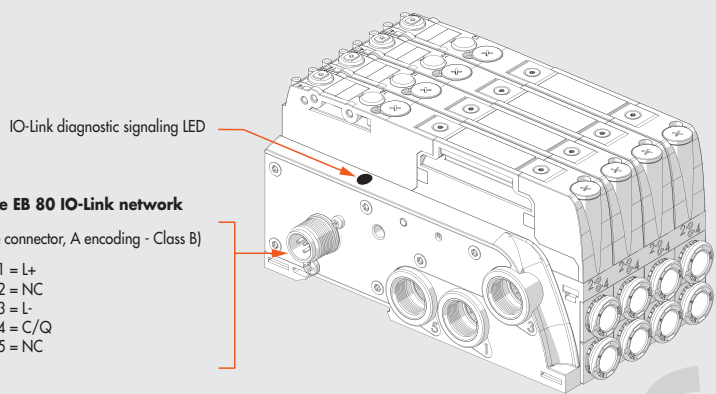
- Examples of types of valves:
- ③ Valve with 2 solenoid pilots
 - ④ Dummy valve or bypass
 - ⑤ Valve with 1 solenoid pilot



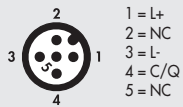
DISTRIBUTORS

EB 80 BOXI - 4-POSITION VALVE ISLAND

EB 80 BOXI IO-Link WIRING DIAGRAM



Connection to the EB 80 IO-Link network
BUS IN (M12 male connector, A encoding - Class B)



| TECHNICAL DATA | |
|--|---|
| Fieldbus | IO-Link version 1.1 |
| Communication speed | Kbps 230.4 (COM3) |
| Vendor ID / Device ID | 1046 (hex 0x0416) / 32 (hex 0x000020) |
| Minimum cycle time | ms 2.8 |
| Process data length | 1 byte of Output |
| Supply voltage range (M8 connector) | V 12 -10% 24 +30% |
| Minimum operating voltage | V 10.8 * |
| Maximum operating voltage | V 31.2 |
| Maximum admissible voltage | V 32 *** |
| IO-Link power supply (L+L - Bus IN connector) | VDC min 20, max 30 |
| Protection | Module protected from overload and polarity inversion. Outputs protected from overloads and short-circuits. |
| Connections | Fieldbus: M12 male, A-coded - port class B |
| Diagnostics** | IO-Link: via local LED lights and software messages. Outputs: via local LED |
| Power supply current absorption | See EB 80 Boxi IO-Link instruction manual |
| Maximum number of pilots | 8 |
| Data bit value | 0 = non-active; 1= active |
| State of outputs in the absence of communication | Configurable for each output: non-active, holding of the state, setting of a preset state |

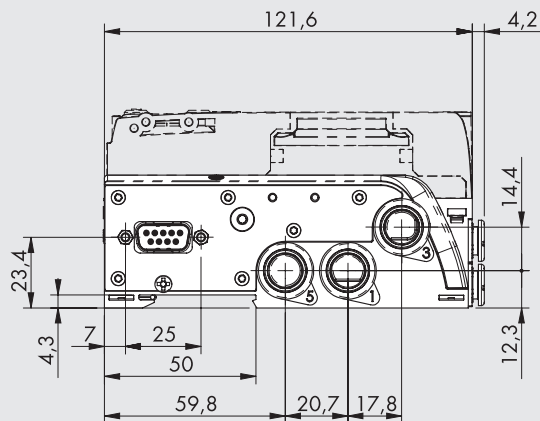
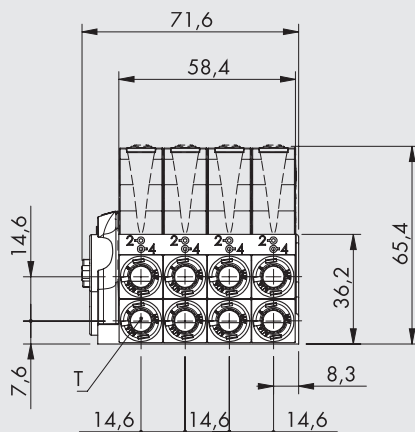
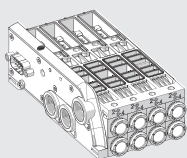
* Minimum voltage 10.8V required at solenoid pilots. Check the minimum voltage at the power supply output using the calculations shown on page B2.24

** Refer to the user manual for a detailed description.

*** IMPORTANT! Voltage greater than 32VDC will damage the system irreparably.

DIMENSIONS - ORDERING CODES

EB 80 BOXI WITH D-Sub 9-PIN MULTIPOLE ELECTRICAL CONNECTION



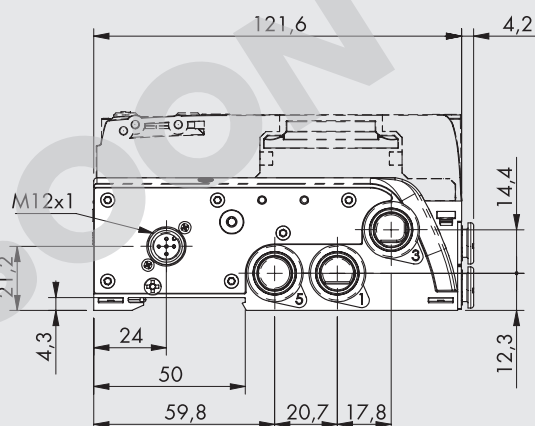
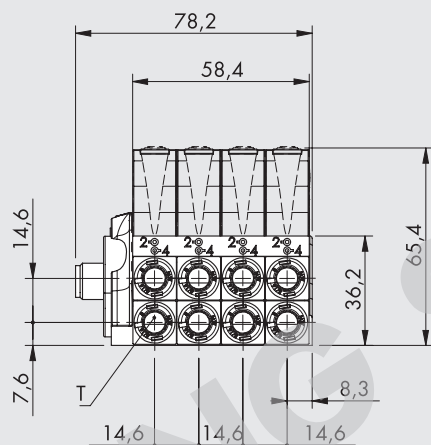
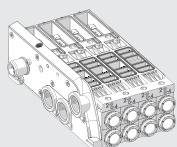
Port threads 1, 3, 5 BSP

| | | Code | |
|--------------------|--------------------|---------------|---------------|
| | T - Pipe fitting | 4 CONTROLS | 8 CONTROLS |
| Servo-assisted | without cartridges | 0228BGX4M1111 | 0228BGX8M1111 |
| | Ø 4 (5/32") | 0228BGX4M4444 | 0228BGX8M4444 |
| | Ø 6 | 0228BGX4M6666 | 0228BGX8M6666 |
| | Ø 8 (5/16") | 0228BGX4M8888 | 0228BGX8M8888 |
| | Ø 1/4" | 0228BGX4M2222 | 0228BGX8M2222 |
| Non-servo-assisted | without cartridges | 0228BG14M1111 | 0228BG18M1111 |
| | Ø 4 (5/32") | 0228BG14M4444 | 0228BG18M4444 |
| | Ø 6 | 0228BG14M6666 | 0228BG18M6666 |
| | Ø 8 (5/16") | 0228BG14M8888 | 0228BG18M8888 |
| | Ø 1/4" | 0228BG14M2222 | 0228BG18M2222 |

Port threads 1, 3, 5 NPT

| | | Code | |
|--------------------|--------------------|---------------|---------------|
| | T - Pipe fitting | 4 CONTROLS | 8 CONTROLS |
| Servo-assisted | without cartridges | 0228BUX4M1111 | 0228BUX8M1111 |
| | Ø 4 (5/32") | 0228BUX4M4444 | 0228BUX8M4444 |
| | Ø 6 | 0228BUX4M6666 | 0228BUX8M6666 |
| | Ø 8 (5/16") | 0228BUX4M8888 | 0228BUX8M8888 |
| | Ø 1/4" | 0228BUX4M2222 | 0228BUX8M2222 |
| Non-servo-assisted | without cartridges | 0228BU14M1111 | 0228BU18M1111 |
| | Ø 4 (5/32") | 0228BU14M4444 | 0228BU18M4444 |
| | Ø 6 | 0228BU14M6666 | 0228BU18M6666 |
| | Ø 8 (5/16") | 0228BU14M8888 | 0228BU18M8888 |
| | Ø 1/4" | 0228BU14M2222 | 0228BU18M2222 |

EB 80 BOXI WITH ELECTRICAL CONNECTION I/O link (M12x1)



Port threads 1, 3, 5 BSP

| | | Code | |
|--------------------|--------------------|---------------|--|
| | T - Pipe fitting | 8 CONTROLS | |
| Servo-assisted | without cartridges | 0228BGX8L1111 | |
| | Ø 4 (5/32") | 0228BGX8L4444 | |
| | Ø 6 | 0228BGX8L6666 | |
| | Ø 8 (5/16") | 0228BGX8L8888 | |
| | Ø 1/4" | 0228BGX8L2222 | |
| Non-servo-assisted | without cartridges | 0228BG18L1111 | |
| | Ø 4 (5/32") | 0228BG18L4444 | |
| | Ø 6 | 0228BG18L6666 | |
| | Ø 8 (5/16") | 0228BG18L8888 | |
| | Ø 1/4" | 0228BG18L2222 | |

Port threads 1, 3, 5 NPT

| | | Code | |
|--------------------|--------------------|---------------|--|
| | T - Pipe fitting | 8 CONTROLS | |
| Servo-assisted | without cartridges | 0228BUX8L1111 | |
| | Ø 4 (5/32") | 0228BUX8L4444 | |
| | Ø 6 | 0228BUX8L6666 | |
| | Ø 8 (5/16") | 0228BUX8L8888 | |
| | Ø 1/4" | 0228BUX8L2222 | |
| Non-servo-assisted | without cartridges | 0228BU18L1111 | |
| | Ø 4 (5/32") | 0228BU18L4444 | |
| | Ø 6 | 0228BU18L6666 | |
| | Ø 8 (5/16") | 0228BU18L8888 | |
| | Ø 1/4" | 0228BU18L2222 | |

KEY TO CODING OF THE EB 80 BOXI WITHOUT VALVES

| 0228B FAMILY | G PORT THREADS 1, 3, 5 | 1 PILOTING | 8 NUMBER OF SOLENOID PILOT CONTROLS | M ELECTRICAL CONNECTION | 4 1° position (from left) | 4 2° position | 4 3° position | 4 4° position |
|------------------|---------------------------|--|-------------------------------------|---|---|---------------|---------------|---------------|
| 0228B EB 80 BOXI | G 1/4" BSP U 1/4" NPT | 1 Non-servo-assisted X Servo-assisted | 4 4 controls 8 8 controls | M D-Sub 9-pin multipole connection ▲ ◆ L I/O link, M12x1 | 1 Without cartridges 2 Pipe fitting Ø 1/4" 4 Pipe fitting Ø 4 (5/32") 6 Pipe fitting Ø 6 8 Pipe fitting Ø 8 (5/16") | | | |

- ▲ Only for version with 8 commands.
- ◆ Not yet available at the time of printing this catalogue.

KEY TO CODING OF THE EB 80 BOXI COMPLETE WITH VALVES

| 0228B FAMILY | G PORT THREADS 1, 3, 5 | 1 PILOTING | 8 NUMBER OF SOLENOID PILOT CONTROLS | M ELECTRICAL CONNECTION | 4 1° position (from left) | 4 2° position | 4 3° position | 4 4° position | 0 MANUAL CONTROL | V V K I VALVES |
|------------------|---------------------------|--|-------------------------------------|---|---|---------------|---------------|---------------|----------------------------|--|
| 0228B EB 80 BOXI | G 1/4" BSP U 1/4" NPT | 1 Non-servo-assisted X Servo-assisted | 4 4 controls 8 8 controls | M D-Sub 9-pin multipole connection ▲ ◆ L I/O link, M12x1 | 1 Without cartridges 2 Pipe fitting Ø 1/4" 4 Pipe fitting Ø 4 (5/32") 6 Pipe fitting Ø 6 8 Pipe fitting Ø 8 (5/16") | | | | 0 Monostable 1 Bistable | Z 2 valves 2/2 NC I 2 valves 3/2 NC W 2 valves 3/2 NO L 3/2 NC + 3/2 NO V 5/2 monostable K 5/2 bistable O 5/3 CC G 3/2 NC high flow J 3/2 NO high flow R Shut-off valve Y Bypass N Dummy valve (plug) |

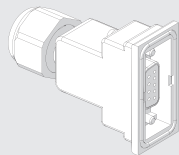
- ▲ Only for version with 8 commands.
- ◆ Not yet available at the time of printing this catalogue.

DISTRIBUTORS

EB 80 BOXI - 4-POSITION VALVE ISLAND

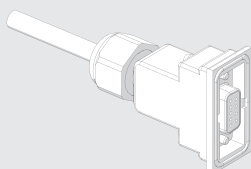
ACCESSORIES

STRAIGHT IP65 9-PIN PLUG CONNECTOR KIT



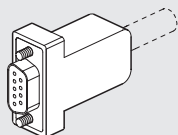
| Code | Description | Weight [g] |
|------------|---|------------|
| 02269G0000 | Straight D-Sub 9-PIN IP65 connector kit | 20 |
| | | |
| | | |
| | | |
| | | |
| | | |
| | | |

PRE-WIRED STRAIGHT IP65 9-PIN PLUG CONNECTOR KIT



| Code | Description | Weight [g] |
|------------|---|------------|
| 02269G0100 | Straight D-Sub 9-PIN IP65 connector + cable L = 1 m | 80 |
| 02269G0250 | Straight D-Sub 9-PIN IP65 connector + cable L = 2.5 m | 170 |
| 02269G0500 | Straight D-Sub 9-PIN IP65 connector + cable L = 5 m | 320 |
| 02269G1000 | Straight D-Sub 9-PIN IP65 connector + cable L = 10 m | 620 |
| | | |
| | | |
| | | |

STRAIGHT IP40 9-PIN PLUG CONNECTOR KIT



| Code | Description | Weight [g] |
|------------|------------------------------------|------------|
| 0226180102 | Straight D-Sub 9-PIN connector kit | 20 |

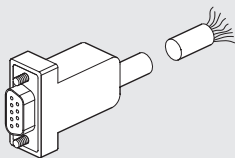
CABLE



| Code | Description | Weight [g/m] |
|------------|--------------|--------------|
| 0226107201 | 10-PIN cable | 60 |

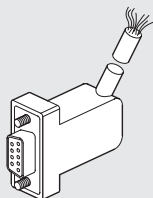
Specify the number of metres desired.

PRE-WIRED STRAIGHT IP40 9-PIN PLUG CONNECTOR KIT



| Code | Description | Weight [g] |
|------------|--|------------|
| 0226900100 | Straight D-Sub 9-PIN connector + cable L = 1 m | 80 |
| 0226900250 | Straight D-Sub 9-PIN connector + cable L = 2.5 m | 170 |
| 0226900500 | Straight D-Sub 9-PIN connector + cable L = 5 m | 320 |
| 0226900750 | Straight D-Sub 9-PIN connector + cable L = 7.5 m | 470 |
| 0226901000 | Straight D-Sub 9-PIN connector + cable L = 10 m | 620 |
| 0226901500 | Straight D-Sub 9-PIN connector + cable L = 15 m | 920 |
| 0226902000 | Straight D-Sub 9-PIN connector + cable L = 20 m | 1220 |
| 0226905000 | Straight D-Sub 9-PIN connector + cable L = 50 m | 3020 |

PRE-WIRED 90° IP40 9-PIN PLUG CONNECTOR



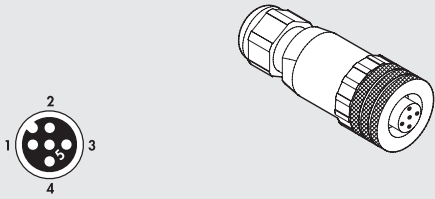
| Code | Description | Weight [g] |
|------------|---|------------|
| 0226910100 | D-Sub 90° 9-PIN connector + cable L = 1 m | 80 |
| 0226910250 | D-Sub 90° 9-PIN connector + cable L = 2.5 m | 170 |
| 0226910500 | D-Sub 90° 9-PIN connector + cable L = 5 m | 320 |
| 0226910750 | D-Sub 90° 9-PIN connector + cable L = 7.5 m | 470 |
| 0226911000 | D-Sub 90° 9-PIN connector + cable L = 10 m | 620 |
| 0226911500 | D-Sub 90° 9-PIN connector + cable L = 15 m | 920 |

WIRING DIAGRAM FOR PRE-WIRED PLUG CONNECTORS

| Position of electrical contact | Colour of the corresponding wire | Function |
|--------------------------------|----------------------------------|----------|
| 1 | green/black | Out 1 + |
| 2 | white | Out 2 + |
| 3 | blue/black | Out 3 + |
| 4 | blue | Out 4 + |
| 5 | yellow/black | Out 5 + |
| 6 | yellow | Out 6 + |
| 7 | red/black | Out 7 + |
| 8 | green | Out 8 + |
| 9 | white/black | 0VDC |

NOTES

STRAIGHT CONNECTOR FOR M12, A-CODED

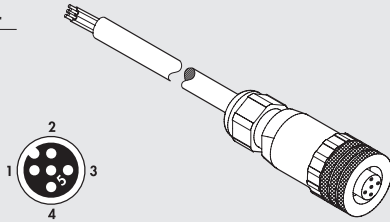


| Code | Description |
|-------------|--------------------------------|
| W0970513001 | 5-PIN M12X1 straight connector |

Note: Can be used for IO-Link

STRAIGHT CONNECTOR WITH WIRE FOR M12, A-CODED

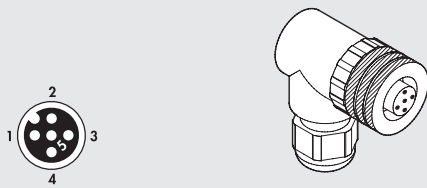
| Pin | Cable color |
|-----|-------------|
| 1 | Brown |
| 2 | White |
| 3 | Blue |
| 4 | Black |
| 5 | Gray |



| Code | Description |
|-------------|--|
| W0970513002 | 5-PIN M12X1 straight connector with wire L = 5 m |

Note: Can be used for IO-Link

90° CONNECTOR FOR M12, A-CODED

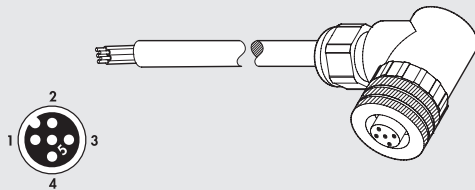


| Code | Description |
|-------------|---------------------------|
| W0970513003 | M12X1 5-PIN 90° connector |

Note: Can be used for IO-Link

90° CONNECTOR WITH WIRE FOR M12, A-CODED

| Pin | Cable color |
|-----|-------------|
| 1 | Brown |
| 2 | White |
| 3 | Blue |
| 4 | Black |
| 5 | Gray |

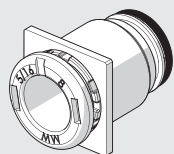


| Code | Description |
|-------------|---|
| W0970513004 | M12X1 5-PIN 90° connector with wire L = 5 M |

Note: Can be used for IO-Link

SPARE PARTS

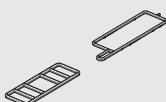
CARTRIDGE



| Code | Description | Ø |
|------------|---------------------------------------|-----------|
| 02282R2001 | EB 80 Ø 4 base square cartridge kit | 4 (5/32") |
| 02282R2002 | EB 80 Ø 6 base square cartridge kit | 6 |
| 02282R2003 | EB 80 Ø 8 base square cartridge kit | 8 (5/16") |
| 02282R2006 | EB 80 Ø 1/4 base square cartridge kit | 1/4" |

Comes in 10-pc. packs

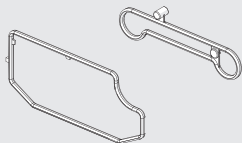
BASE-VALVE GASKET



| Code | Description |
|------------|-----------------------------|
| 02282R1002 | EB 80 base-valve gasket kit |

Comes in 10-pc. packs

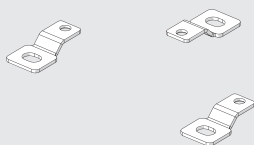
GASKETS BETWEEN BASE AND COVER SHEET METAL



| Code | Description |
|------------|--|
| 02282R1006 | EB 80 BOXI kit of gaskets between base and cover sheet metal |

Comes in 10-pc. packs

FOOT



| Code | Description |
|------------|---------------------------|
| 02282R4002 | EB 80 BOXI fixing pin kit |

Comes in 3-pc. packs

KIT PNEUMATIC MOTION® EB 80 BOXI

The EB 80 BOXI complete with electrical connector, cable, fittings and silencers can be supplied under one ordering code only.



REQUEST THE KIT CODE BY SPECIFYING:

- The EB 80 BOXI code
- The code of the single connector or pre-wired connector
- The fitting and the quantity desired. We suggest choosing one among those listed below ▲
- The silencer and the quantity desired. We suggest choosing one among those listed below ◆

Example
 0228BG18M66660KKKK
 02269G0250
 n° 1 2L01010
 n° 2 W0970530053

▲ 1/4" FITTINGS FOR BOXI PNEUMATIC SUPPLIES *

| Ø Pipe | Straight male cylindrical code (R1) | L rotary elbow, male, code (R34) |
|--------|-------------------------------------|----------------------------------|
| 4 | 2L01003 | 2L34003 |
| 6 | 2L01008 | 2L34008 |
| 8 | 2L01010 | 2L34010 |
| 10 | 2L01012 | 2L34013 |
| 12 | 2001019 | - |

* Normally, one is used for port 1

◆ 1/4" SILENCERS FOR EB 80 BOXI OUTLET PORTS **

| | Code |
|--|-------------|
| SFE silencer with stainless steel mesh | W0970530053 |
| SPLF silencer made of resin with felt | W0970530073 |

** Normally, two are used for ports 3 and 5



NOTES

A large area of horizontal grey lines for taking notes, starting below the 'NOTES' header and extending to the bottom of the page.

DISTRIBUTORS

EB 80 BOXI - 4-POSITION VALVE ISLAND